

# Revolution 100 & Adaptable Wall

## Product Data Sheet





## Product facts

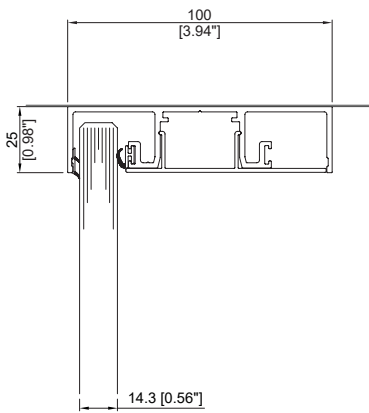
- High acoustic mullion-free glazed or solid partition system. Panel options include fabric and FSC™ wood
- Can be single or double glazed
- Dry jointed and fully demountable
- High-quality, low-carbon aluminum framework
- Numerous door options including 100mm (3.93") thick Elite Series
- Manufactured at Optima's UK factory and fabricated in the US

## Acoustics

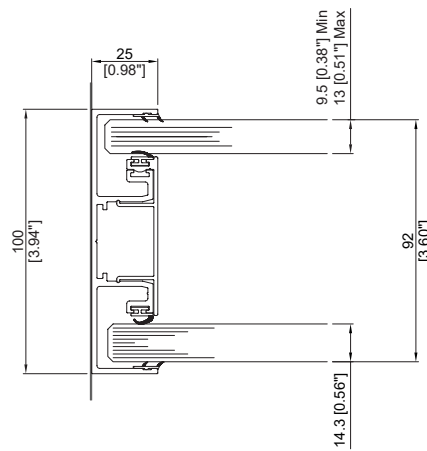
- Maximum tested acoustic rating of 51 STC double glazed using 2 x 12.8mm (0.5") acoustic laminated glass or Magnetic glass and Fabric wrap MDF

## Deflection

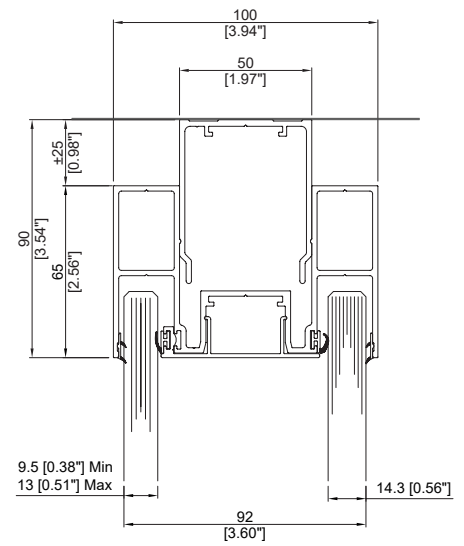
- Can accommodate up to ±40mm (1.57") deflection



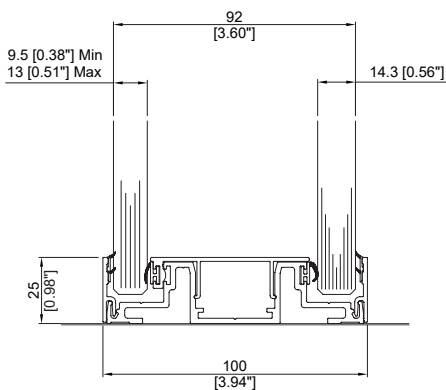
25mm [0.98"] HEAD TRACK  
OFFSET SINGLE GLAZED



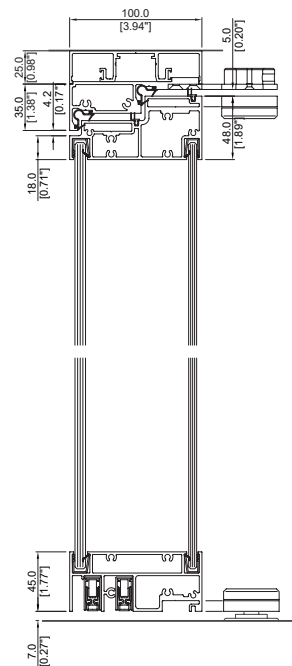
25mm [0.98"] ABUTMENT  
FIXED GLAZING BEAD  
DOUBLE GLAZED



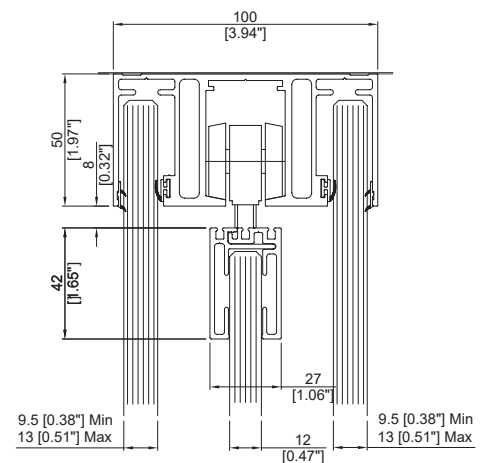
HEAD TRACK WITH INNER UPPER  
CHANNEL ±25 [0.98] DEFLECTION  
DOUBLE GLAZED



25mm [0.98"] BASE TRACK  
DOUBLE GLAZED



D660 DOOR FRAME AND  
ELITE AFFINITY 100mm [3.97"] DOOR  
VERTICAL SECTION



FIXED 50mm [1.97"] HEAD TRACK  
AT PSD OPENING

## Product overview

<b>System type</b>	Offset single glazed or double glazed or solid panel
<b>Head detail</b>	Standard aluminum head channels 100mm (3.93") x 25mm (0.98") or 100mm (3.93") x 50mm (1.96")
<b>Base detail</b>	Standard aluminum base channels 100mm (3.93") x 25mm (0.98") or 100mm (3.93") x 50mm (1.96")
<b>Deflection head options</b>	2-part internal deflection heads: ±25mm (0.98") - 90mm (3.54") deep aluminum outer channel ±40mm (1.57") - 135mm (5.31") deep aluminum outer channel 2-part external deflection heads: ±25mm (0.98") - 94mm (3.70") deep aluminum outer channel ±40mm (1.57") - 140mm (5.51") deep aluminum outer channel
<b>Door options</b>	Revolution 100 aluminum door frame profile is compatible with Axile Clarity, Edge Symmetry, Edge Affinity, 44mm (1.73")/54mm (2.12") thick timber door. Elite Symmetry and Elite Affinity are 100mm (3.93") thick doors designed exclusively for Revolution 100. Elite Aero sliding door slides between the glass panels.
<b>Glass thickness</b>	12.8mm (0.5") thick glass available as standard, subject to panel width, height and acoustic rating
<b>Maximum screen height</b>	3000mm (118.11") subject to build configuration and access into building using 12.8mm (0.5") acoustic laminated glass. Please speak to our Technical Team for advice.
<b>Acoustic rating</b>	51 STC - 12.8mm (0.5") acoustic laminated glass. Test certificates available upon request.

## Product Comparison

Partition/ Wall Range	Acoustics STC/ RwdB up to max value	Single/ Double Glazed		Head Track/Floor Track					Deflection head options ±25mm (0.98")/40mm (1.57")	
		Single	Double	25mm (0.98") Depth	50mm (1.96") Depth	25mm (0.98") Width	36mm (1.41") Width	40mm (1.57") Width	Internal	External
Revolution 100, PurOptima Adaptable Wall & Shoreditch Edition	Rw51dB	✓	✓	✓	✓				✓	✓
Revolution 54 Plus & Shoreditch Edition	STC 46	✓	✓	✓	✓					✓
PurOptima 117 Plus & Shoreditch Edition	Rw38dB	✓		✓	✓	✓	✓	✓	✓	✓

Range of RAL colors and special paint finishes, powder coated or anodized

Door Range	Acoustics STC/ RwdB up to max value	Single/Double Glazed		Swing or sliding		Compatible with		
		Single	Double	Swing	Sliding	PurOptima 117 Plus	Revolution 54 Plus	Revolution 100
Kinetic	Rw36dB	✓			✓	✓		
Axile	Rw33dB	✓		✓		✓		
Edge	Rw42dB	✓	✓	✓		✓	✓	✓
Elite	Rw45dB		✓	✓	✓			✓
Timber	Rw33dB		n/a	✓		✓	✓	✓

Range of RAL colors and special paint finishes, powder coated or anodized

Range of door hardware including pull/lever handles, locks and hinges